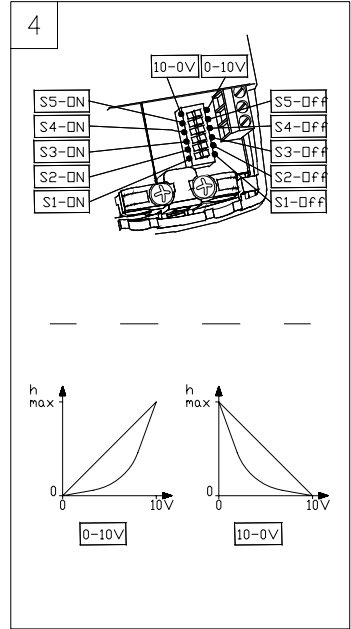
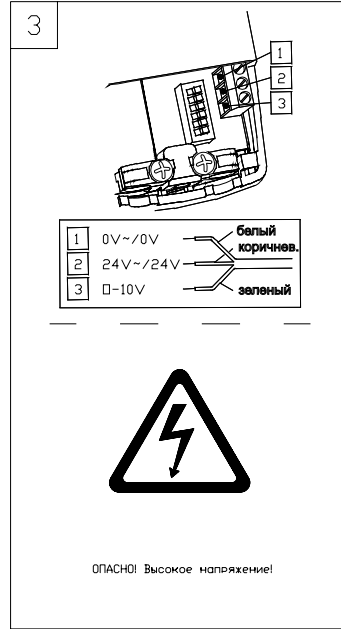
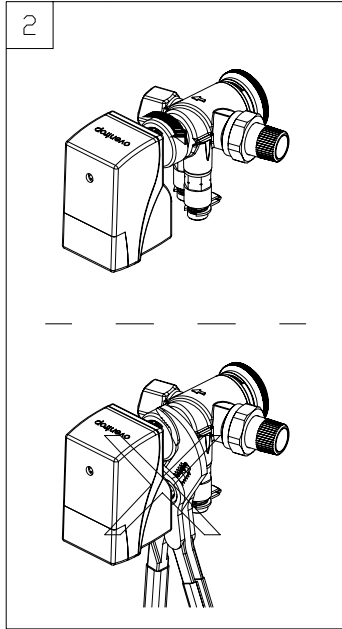
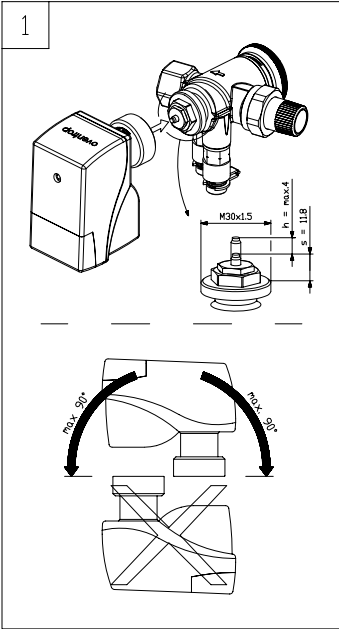


Артикул 1012705

Инструкция по установке и эксплуатации для специалистов

Напряжение питания: 24 В AC ± 10% (50/60 Гц)
 24 В DC ± 10%
 Потребляемая мощность: 0,8 Вт активная мощность
 2,5 ВА полная мощность
 Управляющий сигнал: 0-10 В DC
 Соединительный кабель: 3 x 0,34 мм²
 Шаг штока: 4 мм
 Усилие на шток: 150 Н
 Скорость закрытия: примерно 15 с/мм
 Класс влаговызгозащиты: IP 40 в соответствии с EN60529
 Температура окружающей среды: 0 - +50 °C (при влажности ниже точки росы)
 Температура рабочей жидкости: 0 - 100 °C

Для получения более подробной информации посетите сайт www.oventrop.com.
 Возможны технические изменения.



Настройка регулировочной характеристики

| Вентиль + привод = | | | | |
|-------------------------|-----------------------------------|--------------------------------|---|---|
| Тип вентиля | Исполнение | Диапазон расхода | DIP-переключатель Положение джампера S1 S2 S3 S4 S5 | DIP-переключатель Положение джампера S1 S2 S3 S4 S5 |
| Coacon QTZ | DN 10/15 30 - 210 l/h | 91 - 150 l/h | off off off on off | on on off on on |
| | | 151 - 210 l/h | off on off on off | on off on on on |
| | | 151 - 250 l/h 251 - 450 l/h | off off on on off | on off on on on |
| | DN 15/20 150 - 1050 l/h | 150 - 200 l/h | off on on on off | off on off on on |
| | | 201 - 300 l/h 301 - 600 l/h | off off on on off | off off on on on |
| | | 601 - 1050 l/h | off off off off on | on off on on on |
| DN 20 180 - 1300 l/h | 180 - 400 l/h | on off off off on | off on off on on | |
| | 401 - 500 l/h 501 - 600 l/h | on off off on off | on on off on on | |
| | 601 - 700 l/h 701 - 1300 l/h | off on on on on | off on on on on | |
| DN 25 300 - 2000 l/h | 300 - 400 l/h | off off on off on | off off on on on | |
| | 401 - 600 l/h 601 - 900 l/h | off off on on off | on off on on on | |
| | 901 - 1400 l/h 1401 - 2000 l/h | on off on off on | off on on on on | |
| DN 32 600 - 3600 l/h | 600 l/h | on on on off on | on off on on on | |
| | 601 - 800 l/h 801 - 1600 l/h | off off off on on | off on on on on | |
| | 1601 - 3600 l/h | off off off off off | on on on on on | |
| Coacon 2TZ | kvs = 0.45 | 0.25 U. | off off on off off | |
| | | 0.26 - 0.5 U. | off on off on off | |
| | kvs = 1.0 | 0.5 - 1 U. | off on off off off | off on off on off |
| | | 1.1 - 4.5 U. | off off off off on | on on on on on |
| Coacon 4TR | kvs = 1.8 | 0.5 - 7 U. | on off off on off | |
| | | 0.75 - 1 U. 1.1 - 7 U. | off on off on off | |

| Вентиль + привод = | | | | |
|---|---------------------|--|---|---|
| Тип вентиля | Серия | Предварительная настройка | DIP-переключатель Положение джампера S1 S2 S3 S4 S5 | DIP-переключатель Положение джампера S1 S2 S3 S4 S5 |
| Coacon QTZ | AV6 | VE 2,3 VE 4,5 VE 6 | off on on off off on off on off off off off on off off | |
| | F | VE 1,2,3,4 VE 5,6 | on on on off off off on on off off | |
| | AZ/A | | on off off off on | on on off on off |
| | PTB kvs=0.45 | 0.25 U. 0.26 - 0.5 U. 0.6 - 4 U. | off off on off off off on off on off off on off off off | off on off on off |
| Hycocoon HTZ | DN 15 kvs = 1.7 | 0.5 - 0.75 U. 0.76 - 1 U. 1.1 - 3 U. | off on on off off on off on off off off off on off off | |
| | | DN 20 kvs = 2.7 | 0.5 - 0.75 U. 0.76 - 1.5 U. 1.6 - 3 U. | off on off on off off on off on off off on on off on |
| Сторонние производители (M30x1.5, s=11.8mm) | Ход штока h | h = 0.5 mm | on on on off off | on off off on on |
| | | h = 1.0 mm | off on on off off | |
| | | h = 1.5 mm | on off on off off | off on off on on |
| | | h = 2.0 mm | off off on off off | on on off on on |
| | | h = 2.5 mm | on on off off off | off off on on on |
| | | h = 3.0 mm | off on off off off | on off on on on |
| h = 3.5 mm | on off off off off | off on on on on | | |
| h = 4.0 mm | off off off off off | on on on on on | | |