

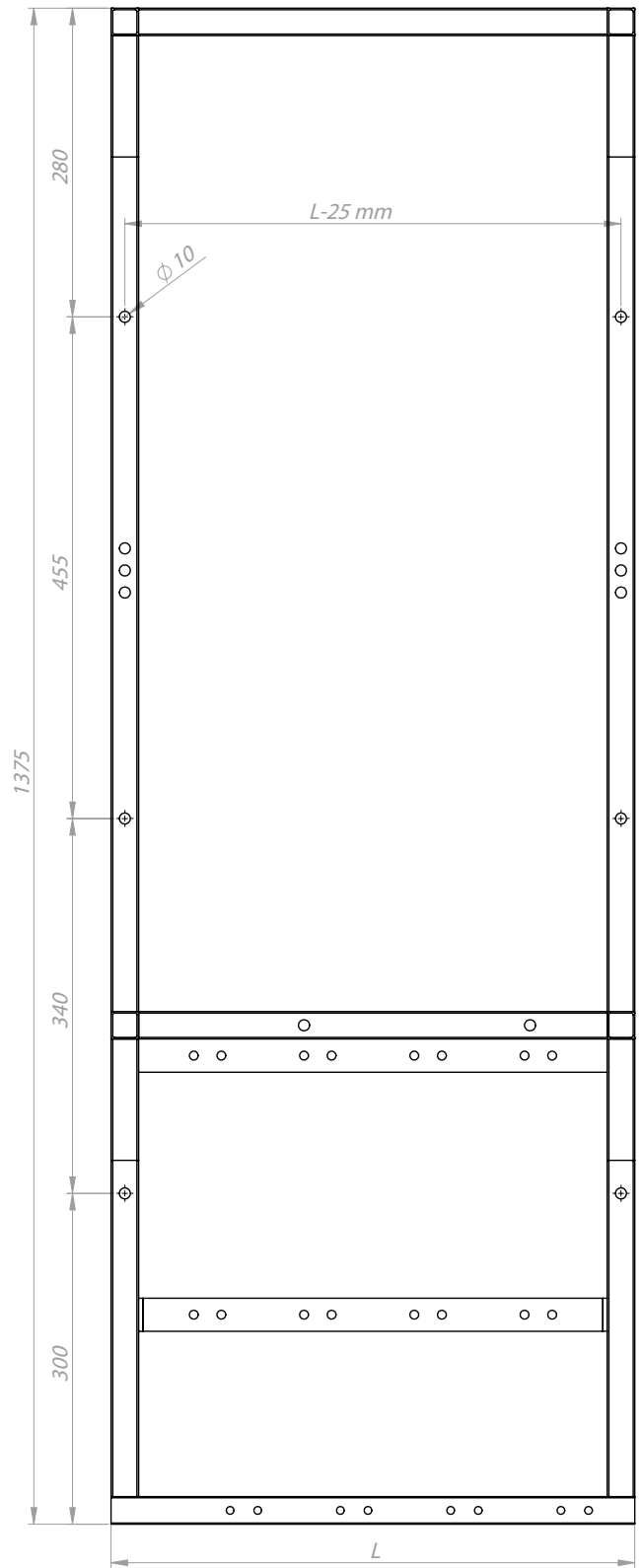
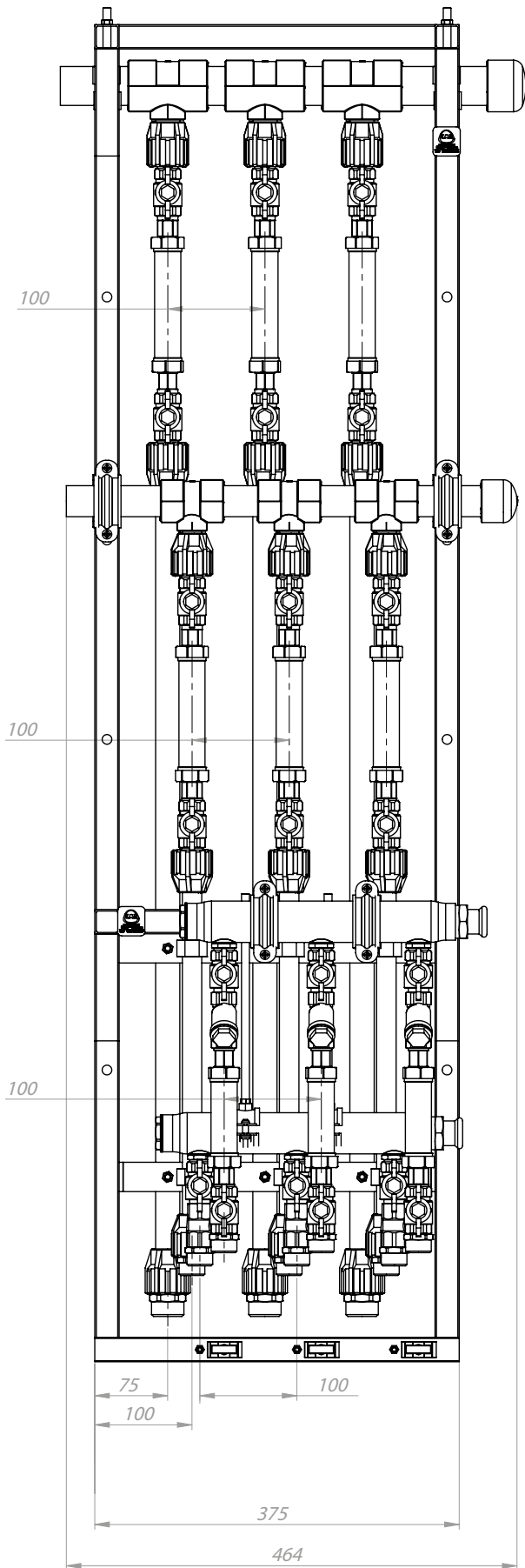


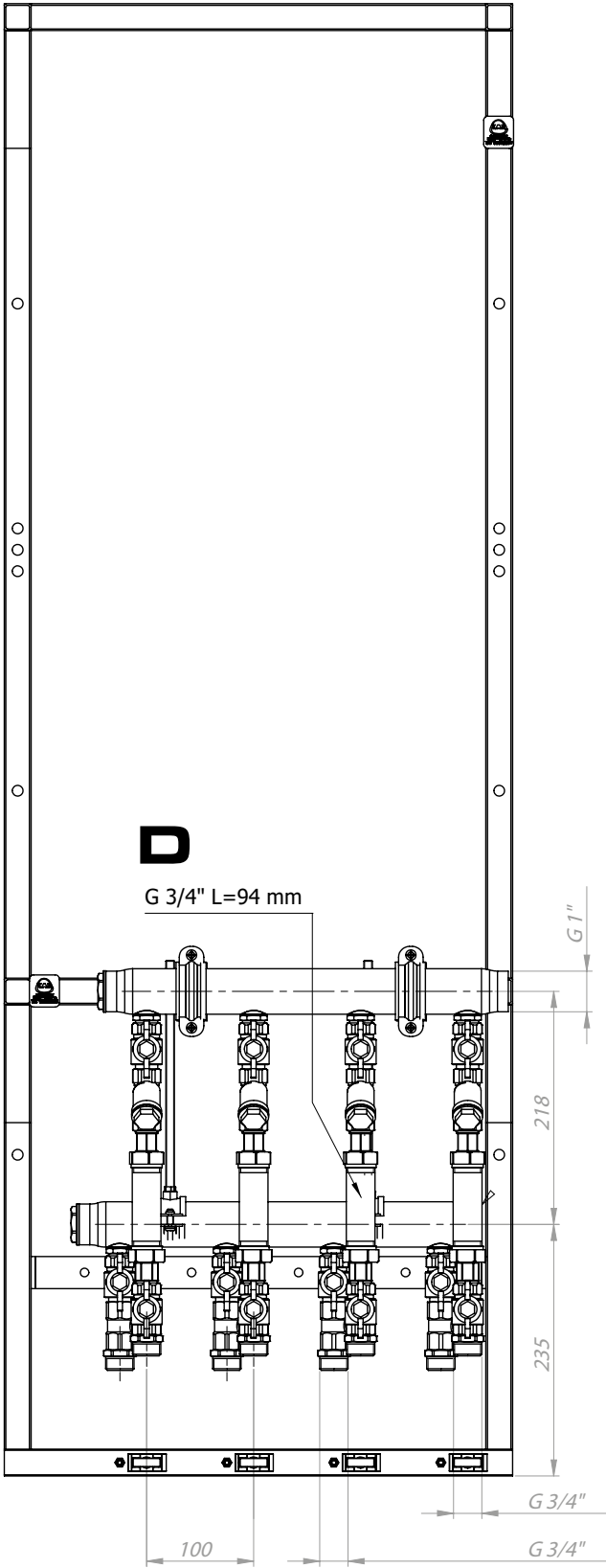
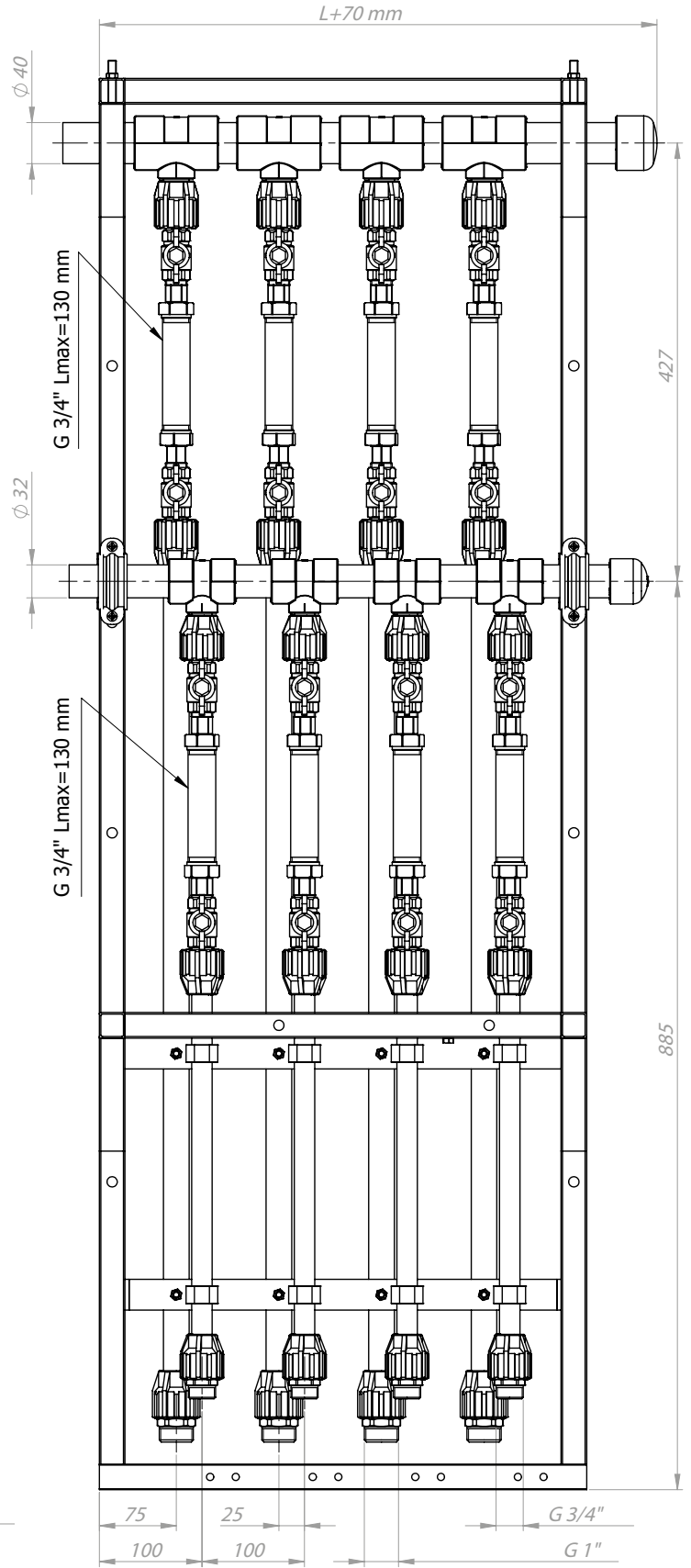
SYSTEM
KAN-therm

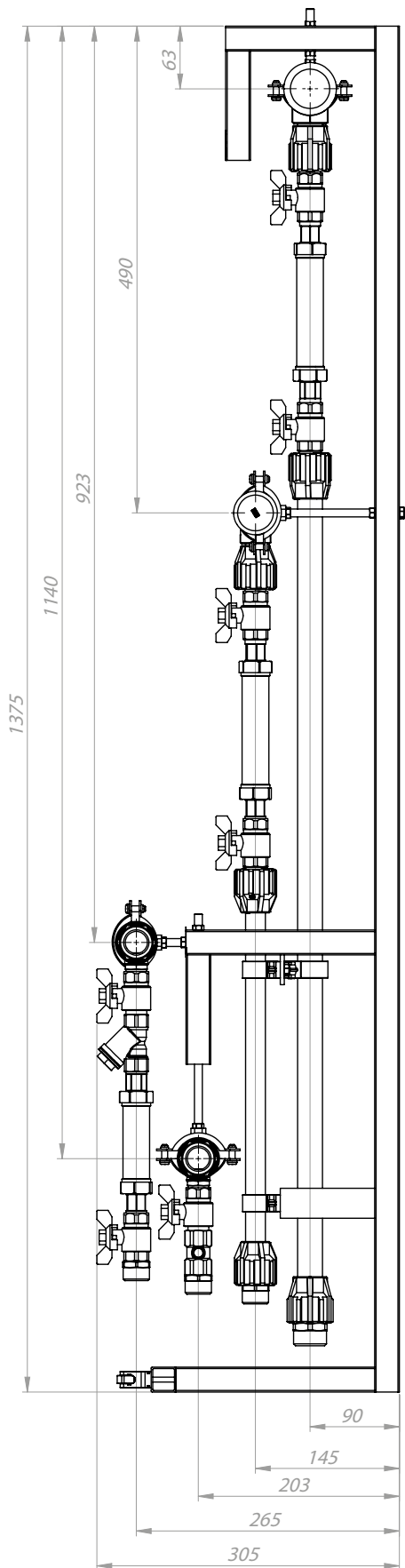


KAN-therm
ZRM

A



B**C**



No	2	3	4	5	6	7	8
L [mm]	375	375	475	575	675	775	875
M [kg]	13	16	20	24	28	32	36

A: ST3

B: CO

H₂O = 100%; Glycol ≤ 50%
1.0252 + CW617N

C: H₂O

H₂O = 100%
PP-R + CW617N

D: P 10bar T_{max} 20°C t_{max} 48h

